
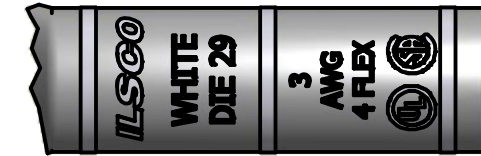
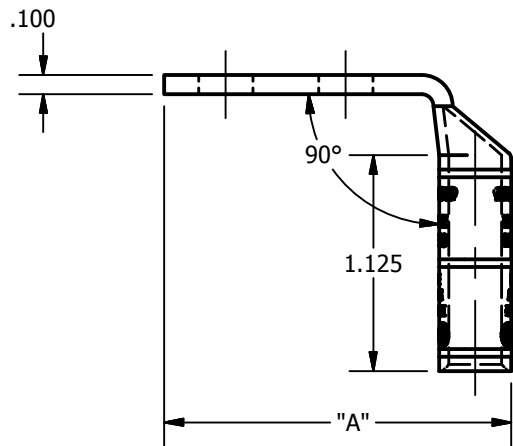
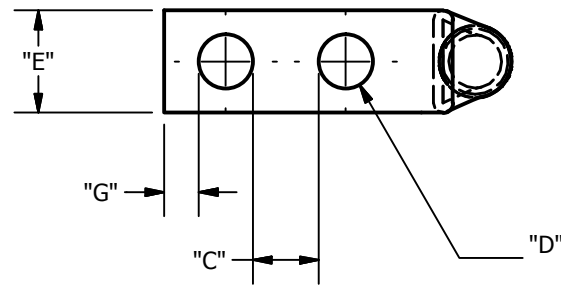
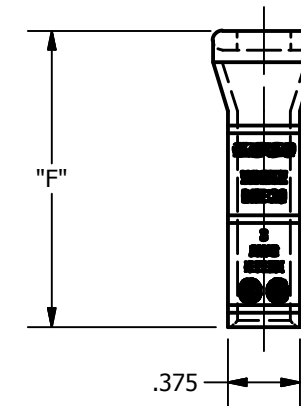


SCREW: NONE	MATERIAL: COPPER	REV: C	 800-776-9775 www.ilSCO.com
CAT. NO.: SEE CHART	PLATING: EL-TIN	DRAWN BY: DW SCALE: NTS	
INFORMATION SHEET: FORM 157	MARKING: SEE CHART	DATE: 6/3/2008 SIZE: B	
			DWG NO: Y0403-D-9
			SHEET: 1 OF 1



DETAIL E  
INK MARKING TOP & BOTTOM



CATALOG NUMBER	"A"	"C"	"D"	"E"	"F"	"G"	TANG MARKING
CLNB-3-10-12-9	1.742	0.281	0.219	0.532	1.600	0.148	UL, ILSCO, CSA, CLNB-3-10-12-9, 10 x 1/2, 3 AWG, 4 FLEX, DIE 29
CLNB-3-10-58-9	1.742	0.406	0.219	0.532	1.600	0.148	UL, ILSCO, CSA, CLNB-3-10-58-9, 10 x 5/8, 3 AWG, 4 FLEX, DIE 29
CLNB-3-10-1116-9	1.742	0.468	0.219	0.532	1.600	0.148	UL, ILSCO, CSA, CLNB-3-10-1116-9, 10 x 11/16, 3 AWG, 4 FLEX, DIE 29
CLNB-3-10-34-9	1.929	0.531	0.219	0.532	1.600	0.148	UL, ILSCO, CSA, CLNB-3-10-34-9, 10 x 3/4, 3 AWG, 4 FLEX, DIE 29
CLNB-3-10-1-9	2.179	0.781	0.219	0.532	1.600	0.148	UL, ILSCO, CSA, CLNB-3-10-1-9, 10 x 1, 3 AWG, 4 FLEX, DIE 29
CLNB-3-14-12-9	1.742	0.219	0.281	0.532	1.600	0.180	UL, ILSCO, CSA, CLNB-3-14-12-9, 1/4 x 1/2, 3 AWG, 4 FLEX, DIE 29
CLNB-3-14-58-9	1.929	0.344	0.281	0.532	1.600	0.180	UL, ILSCO, CSA, CLNB-3-14-58-9, 1/4 x 5/8, 3 AWG, 4 FLEX, DIE 29
CLNB-3-14-34-9	1.929	0.469	0.281	0.532	1.600	0.180	UL, ILSCO, CSA, CLNB-3-14-34-9, 1/4 x 3/4, 3 AWG, 4 FLEX, DIE 29
CLNB-3-14-1-9	2.179	0.719	0.281	0.532	1.600	0.180	UL, ILSCO, CSA, CLNB-3-14-1-9, 1/4 x 1, 3 AWG, 4 FLEX, DIE 29
CLNB-3-516-58-9	1.929	0.282	0.343	0.532	1.600	0.180	UL, ILSCO, CSA, CLNB-3-516-58-9, 5/16 x 5/8, 3 AWG, 4 FLEX, DIE 29
CLNB-3-516-34-9	2.179	0.407	0.343	0.532	1.600	0.180	UL, ILSCO, CSA, CLNB-3-516-34-9, 5/16 x 3/4, 3 AWG, 4 FLEX, DIE 29
CLNB-3-516-78-9	2.179	0.532	0.343	0.532	1.600	0.180	UL, ILSCO, CSA, CLNB-3-516-78-9, 5/16 x 7/8, 3 AWG, 4 FLEX, DIE 29
CLNB-3-516-1-9	2.429	0.657	0.343	0.532	1.600	0.180	UL, ILSCO, CSA, CLNB-3-516-1-9, 5/16 x 1, 3 AWG, 4 FLEX, DIE 29
CLNB-3-516-134-9	2.992	1.407	0.343	0.532	1.600	0.180	UL, ILSCO, CSA, CLNB-3-516-134-9, 5/16 x 1-3/4, 3 AWG, 4 FLEX, DIE 29
CLNB-3-38-34-9	2.179	0.344	0.406	0.593	1.600	0.211	UL, ILSCO, CSA, CLNB-3-38-34-9, 3/8 x 3/4, 3 AWG, 4 FLEX, DIE 29
CLNB-3-38-78-9	2.429	0.469	0.406	0.593	1.600	0.211	UL, ILSCO, CSA, CLNB-3-38-78-9, 3/8 x 7/8, 3 AWG, 4 FLEX, DIE 29
CLNB-3-38-1-9	2.429	0.594	0.406	0.593	1.600	0.211	UL, ILSCO, CSA, CLNB-3-38-1-9, 3/8 x 1, 3 AWG, 4 FLEX, DIE 29
CLNB-3-38-116-9	2.429	0.656	0.406	0.593	1.600	0.211	UL, ILSCO, CSA, CLNB-3-38-116-9, 3/8 x 1-1/6, 3 AWG, 4 FLEX, DIE 29
CLNB-3-38-118-9	2.617	0.719	0.406	0.593	1.600	0.211	UL, ILSCO, CSA, CLNB-3-38-118-9, 3/8 x 1-1/8, 3 AWG, 4 FLEX, DIE 29
CLNB-3-38-134-9	3.117	1.344	0.406	0.593	1.600	0.211	UL, ILSCO, CSA, CLNB-3-38-134-9, 3/8 x 1-3/4, 3 AWG, 4 FLEX, DIE 29
CLNB-3-38-2-9	3.492	1.594	0.406	0.593	1.600	0.211	UL, ILSCO, CSA, CLNB-3-38-2-9, 3/8 x 2, 3 AWG, 4 FLEX, DIE 29
CLNB-3-12-1-9	2.617	0.438	0.562	0.750	1.600	0.265	UL, ILSCO, CSA, CLNB-3-12-1-9, 1/2 x 1, 3 AWG, 4 FLEX, DIE 29
CLNB-3-12-114-9	2.992	0.688	0.562	0.750	1.600	0.265	UL, ILSCO, CSA, CLNB-3-12-114-9, 1/2 x 1-1/4, 3 AWG, 4 FLEX, DIE 29
CLNB-3-12-112-9	3.117	0.938	0.562	0.750	1.600	0.265	UL, ILSCO, CSA, CLNB-3-12-112-9, 1/2 x 1-1/2, 3 AWG, 4 FLEX, DIE 29
CLNB-3-12-134-9	3.492	1.188	0.562	0.750	1.600	0.265	UL, ILSCO, CSA, CLNB-3-12-134-9, 1/2 x 1-3/4, 3 AWG, 4 FLEX, DIE 29
CLNB-3-12-178-9	3.492	1.313	0.562	0.750	1.600	0.265	UL, ILSCO, CSA, CLNB-3-12-178-9, 1/2 x 1-7/8, 3 AWG, 4 FLEX, DIE 29